

8.0T Heavy Duty Forklift

Capacity : 8000kg @ 600mm L.C.



ENGINE

Powered by a fuel efficient, four cylinder, charge air cooler direct injection, turbo charge water cooled, industrial diesel engine. Air filtration is done through a dry type air cleaner. Vertical exhaust system ensures hot exhaust gases are discharged well above the seating level. **Bharat Stage III compliant four cylinder engine is used.**

TRANSMISSION

Power shift transmission with constant mesh gearing provides for standard forward and reverse speeds. Direction control and range selection are effected by a mechanical shift. Separate levers for direction and range selection provided for mechanical gear shifting.

BRAKES

Air operated brakes are self energizing. Brakes are directly on drive wheels and are operated by a pneumatic unit for high braking force and low pedal effort. Cowl mounted and pneumatically operated parking brake.

HYDRAULIC SYSTEM AND CONTROLS

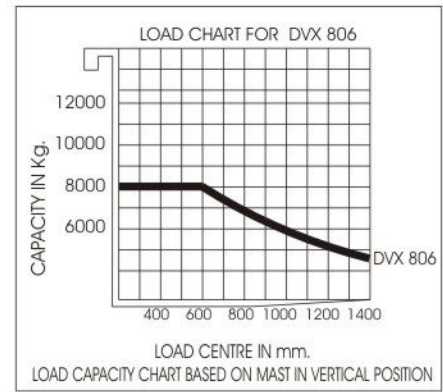
A large size Hydraulic tank is fitted with a breather. It is used for releasing the gases formed. Gear type direct driven hydraulic pump is mounted on the transmission housing. Relief valve protects system against excessive pressures from overload. System is continuously filtered by intake suction and return line filters.

MAX

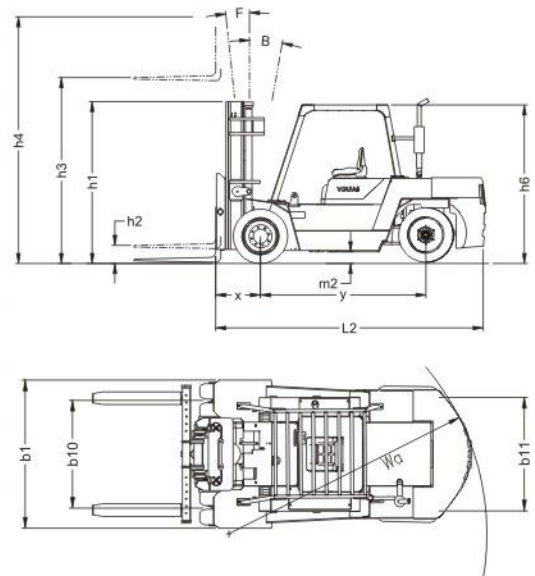
**Reliability
Performance
Productivity**



SPECIFICATIONS						
GENERAL	1	MANUFACTURER			KION India	
	2	MODEL			DVX 806	
	3	CAPACITY	LIFTING LOAD	KG	8000	
	4	LOAD CENTER	DISTANCE	MM	600	
	5	POWER UNIT	ENGINE TYPE		DIESEL	
	6	TYRES	PNEUMATIC (P), CUSHION (C)		P-STD / C-OPT	
DIMENSIONS	7	LIFT HEIGHT STD MAST	MAX FORK HEIGHT	h3	MM	3500
	8		FREE LIFT WITH STD HVM MAST	h2	MM	NIL
	9	FORK CARRIAGE	ISO CLASS			BAR
	10	FORK DIMENSIONS	THICKNESS(thk) X WIDTH(W) X LENGTH(L)		MM	65 X 150 X 1200
	11	FORK SPREAD	MINIMUM - MAXIMUM		MM	120 / 1800
	12	TILT ANGLE WITH HVM	FORWARD / BACKWARD	F / B	DEG	6 / 12
	13		LENGTH TO FACE OF FORKS	L2	MM	4550
	14		OVERALL WIDTH	b1	MM	2325 / 1875
	15	OVERALL DIMENSIONS	HEIGHT WITH COLLAPSED MAST	h1	MM	3350
	16		HEIGHT WITH EXTENDED MAST & LBR	h4	MM	5100
	17		HEIGHT OF CANOPY GUARD	h6	MM	2550
	18	TURNING RADIUS		Wa	MM	4200
	19	FRONT OVERHANG		X	MM	715
PERFORMANCE	20		TRAVEL - LADEN / UNLADEN		KMPH	18 / 24
	21	SPEEDS WITH STD HVM	LIFTING - LADEN / UNLADEN		MM/S	0.25 / 0.26
	22		LOWERING - LADEN / UNLADEN		MM/S	0.48 / 0.23
	23	GRADABILITY**	LADEN		%	20 / 24
	24	STEERING TYRE	POWER STEERING			Hydrostatic Power Steering
FRAME & TYRES	25	WEIGHT	LADEN / UNLADEN		KG	18760 / 10760
	26		No - FRONT / REAR		No	4 / 2
	27	TYRES	SIZE - FRONT			10.00 x 20 - 16PR
	28		SIZE - REAR			7.50 x 20 - 12PR
	29	WHEEL BASE		Y	MM	3000
	30	TRACK	b10 / b11		MM	1815 / 1620
	31	GROUND CLEARANCE	UNDER FRAME	m2	MM	315
DRIVE	32	BRAKES	SERVICE			PNEUMATIC
	33		PARKING			PNEUMATIC
	34		MANUFACTURER / MODEL			REPUTED
	35	ENGINE	RATED HP AS PER IS 10000		HP	100
	36		RATED RPM		RPM	2300
	37		RATED TORQUE		KGM	37.0 @ 1500 RPM
	38	TRANSMISSION	MAKE / MODEL			INDIGENOUS
	39		TYPE			POWERSHIFT
	40		NO OF SPEEDS			2 / 2
	41		GEAR SHIFT			MECHANICAL



** UNLADEN GRADABILITY IS LIMITED TO SKIDDING OF TYRES. SAFETY : TRUCK CONFORMS TO STABILITY REQUIREMENTS AS PER "BIS" & "ISO" STANDARDS ALL SPECIFICATIONS ARE SUBJECT TO +/- 12% TOLERANCE APART FROM THOSE GOVERNED BY BIS. DUE TO CONTINUOUS DESIGN IMPROVEMENTS THE SPECIFICATIONS ARE SUBJECT TO CHANGE WITHOUT NOTICE. CONTACT VOLTAS SALES OFFICE FOR APPLICATIONS INVOLVING SIDESHIFTER / FORK POSITIONER OR ANY OTHER ATTACHMENTS



The specifications are subject to change without prior notice. Please contact our nearest office for latest specifications



KION India Private Ltd.

Plant : 5/4 Chandan Nagar, Pune-Nagar Road,

Pune - 411014, Maharashtra, India

Enquiries : in.enquiries@kiongroup.com

Contact : 020 - 67342-194 / 154 / 193 / 208 / 130

Sales Toll Free No. : 1800 270 9982



F.MKT.KION.302.140.00

Feb. 2018 / 00 - Qty.: 2000